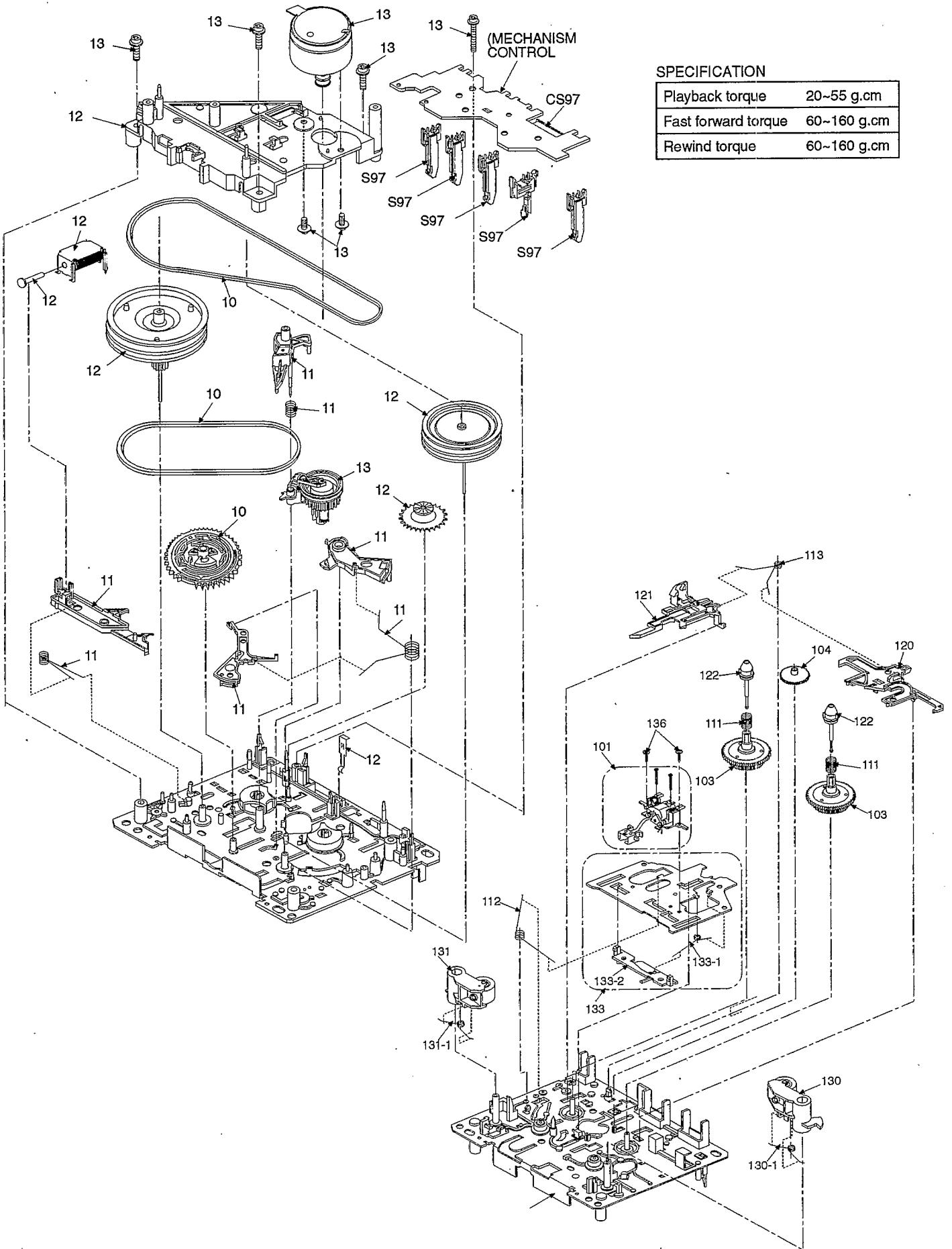


Mechanism Parts Location (RAA4105)



SPECIFICATION

Playback torque	20~55 g.cm
Fast forward torque	60~160 g.cm
Rewind torque	60~160 g.cm

■ Mechanism Parts List

Note : [M] in Remarks column indicates parts that are supplied by MESA.

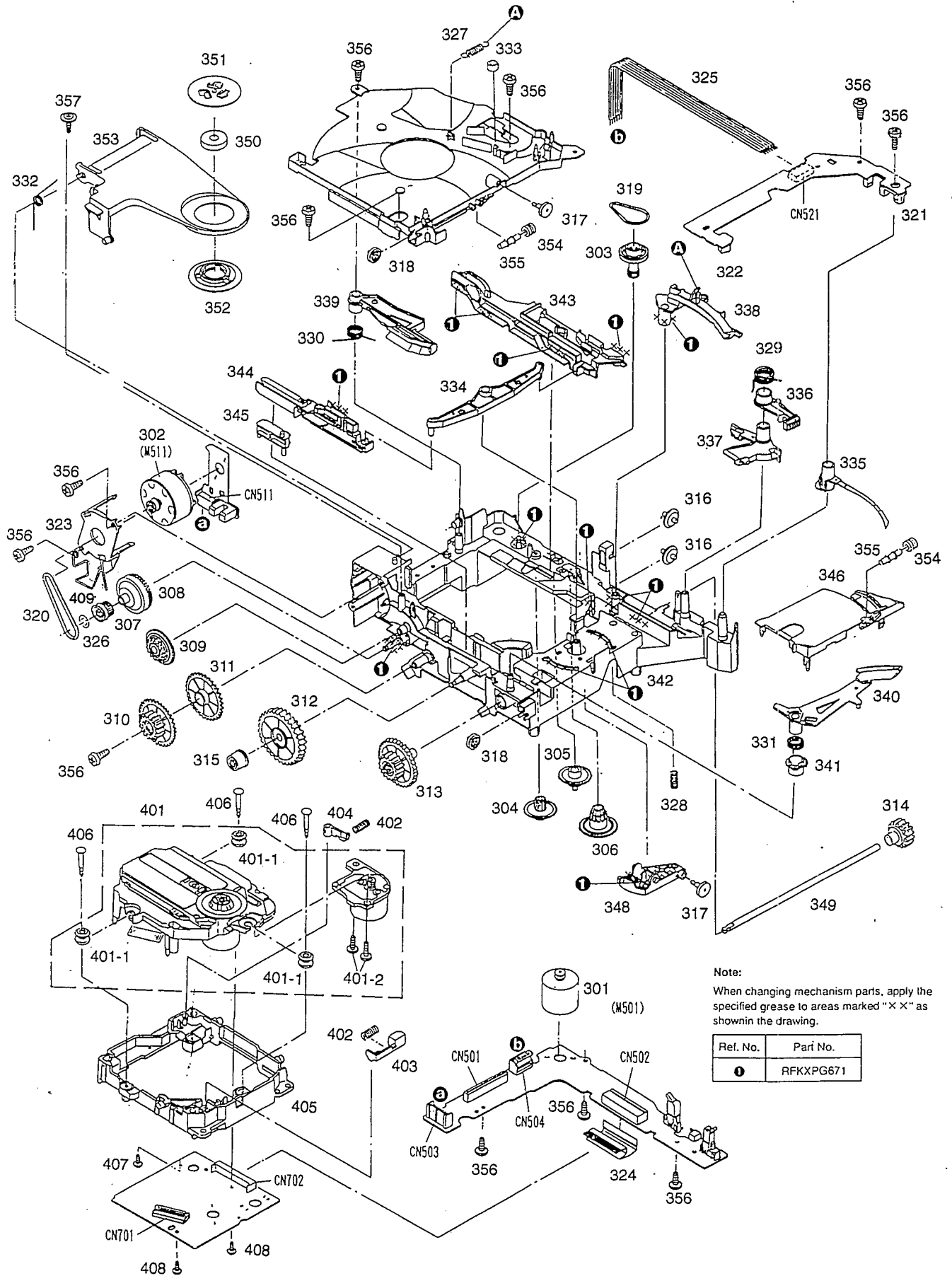
Ref No	Part No.	Part Name & Description	Remarks	Ref No	Part No.	Part Name & Description	Remarks	Ref No	Part No.	Part Name & Description	Remarks
		CASSETTE DECK		116	RML0370	LEVER		130	RXL0124	PINCH ROLLER ASS'Y	
				117	RML0371	LEVER		130-1	RMB0401	SPRING	
101	RED0037	HEAD BLOCK ASS'Y		118	RML0372	ARM		131	RXL0125	PINCH ROLLER ASS'Y	
103	RDG0300	REEL TABLE BASE		119	RML0374	LEVER		131-1	RMB0402	SPRING	
104	RDG0301	GEAR		120	RMM0131	LEVER		132	RXL0126	GEAR	
105	RDK0026	GEAR		121	RMM0133	LEVER		133	RXQ0412	ROD	
107	RDV0033-1	BELT		122	RMQ0519	REEL TABLE HEAD		133-1	RMB0405	SPRING	
108	RDV0034	BELT		123	RMS0398-1	SHAFT		133-2	RMM0132	ROD	
110	RMB0312	SPRING		124	RSJ0003	PLUNGER		134	RFKPxES50GCK	MOTOR ASS'Y	[M]
111	RMB0400	REEL TABLE SPRING		125	RUS609ZC	SPRING		135	RHD26022	SCREW	
112	RMB0403	SPRING		126	RXF0049	FLYWHEEL ASS'Y		136	XTW2+5L	SCREW	
113	RMB0404	SPRING		127	RXF0050	FLYWHEEL ASS'Y		137	XTW26+10S	SCREW	
114	RMB0406	SPRING		128	RXG0040	GEAR		138	XYC2+JF17	SCREW	
115	RMB0408	SPRING		129	RMK0283	PLATE					

■ Loading Mechanism Parts List

Note : [M] in Remarks column indicates parts that are supplied by MESA.

Ref No	Part No.	Part Name & Description	Remarks	Ref No	Part No.	Part Name & Description	Remarks	Ref No	Part No.	Part Name & Description	Remarks
		TRAVERSE DECK		323	RMN0356	MOTOR HOLDER		347	RMR0925-K	DISC GUIDE (R)	
				324	REZ0916	FFC (23P)		348	RMR0927-K	ROLLER BASE	
301	RFKPLMC50PAK	LOADING MTR(M501)ASSY		325	REZ0832	FLAT CABLE (7P)		349	RMS0519	CONNECTION SHAFT	
302	RFKPLMC50PBK	SLIDE MOTOR(M511)ASSY		326	RHW21009	WASHER		350	RHM245ZA	MAGNET	[M]
303	RDG0336	PULLEY GEAR		327	RMB0453	FEED LEVER SPRING		351	RMR0934	FIXED PLATE	[M]
304	RDG0337	REDUCTION GEAR (A)		328	RMB0483	LOCK C SPRING		352	RMR0761-W	CLAMPER	
305	RDG0338	REDUCTION GEAR (B)		329	RME0194	SUB LEVER SPRING		353	RMR0926-K	CLAMPER PLATE	
306	RDG0339	DRIVE GEAR		330	RME0195	SIZE LEVER SPRING		354	RDP0091	DISC ROLLER	
307	RDG0340	SLIDE PULLEY GEAR		331	RME0196	RETURN LEVER SPRING		355	RDP0092	GUIDE ROLLER	
308	RDG0341	COUNT RING		332	RME0197	CLAMP SPRING		356	XTBS26+10J	SCREW	
309	RDG0342	SLIDE REDUCTION GEAR		333	RMG0200	CUSHION RUBBER		357	XTWS3+10T	SCREW	
310	RDG0343	REAR SLIDE GEAR		334	RML0411	CONNECTION LEVER		401	RAE0150Z	TRAVERSE DECK ASS'Y	
311	RDG0344	SLIDE GEAR (A)		335	RML0412	FRONT FEED LEVER		401-1	SHGD113-1	FLOATING RUBBER	
312	RDG0345	SLIDE GEAR (B)		336	RML0413	FEED SUB LEVER		401-2	SNSD38	SCREW	
313	RDG0346	FRONT SLIDE GEAR		337	RML0414	GUIDE LEVER		402	RMB0455	FRONT SUPPORT SPRING	
314	RDG0347	LOWER SLIDE GEAR		338	RML0415	REAR FEED LEVER		403	RML0423	FRONT SUPPORT ARM	
315	RDP0080	UPPER ROLLER		339	RML0416	SIZE DETECTION LEVER		404	RML0424	REAR SUPPORT ARM	
316	RDP0081	LOWER ROLLER		340	RML0417	RETURN LEVER (A)		405	RMR0937-K	TRAVERSE CHASSIS	
317	RDP0082	ROPE ROLLER (A)		341	RML0418	RETURN LEVER (B)		406	RMS0123-1	TRAVERSE FIXED PIN	
318	RDP0083	ROPE ROLLER (B)		342	RFKNLMC50PBK	MECHANISM BASE ASSY		407	XTN2+6G	SCREW	
319	RDV0041	LOADING BELT		343	RMR0921-K	LOWER SLIDE PLATE		408	XTV2+6G	SCREW	
320	RDV0046	SLIDE BELT		344	RMR0922-K	UPPER SLIDE PLATE		409	RME0225	LOCK PLATE SPRING	
321	RMN0357	SENROR HOLDER		345	RMR0923-W	SLIDE SUPPORT PLATE					
322	RMN0358	LED HOLDER		346	RMR0924-K	DISC GUIDE (L)					

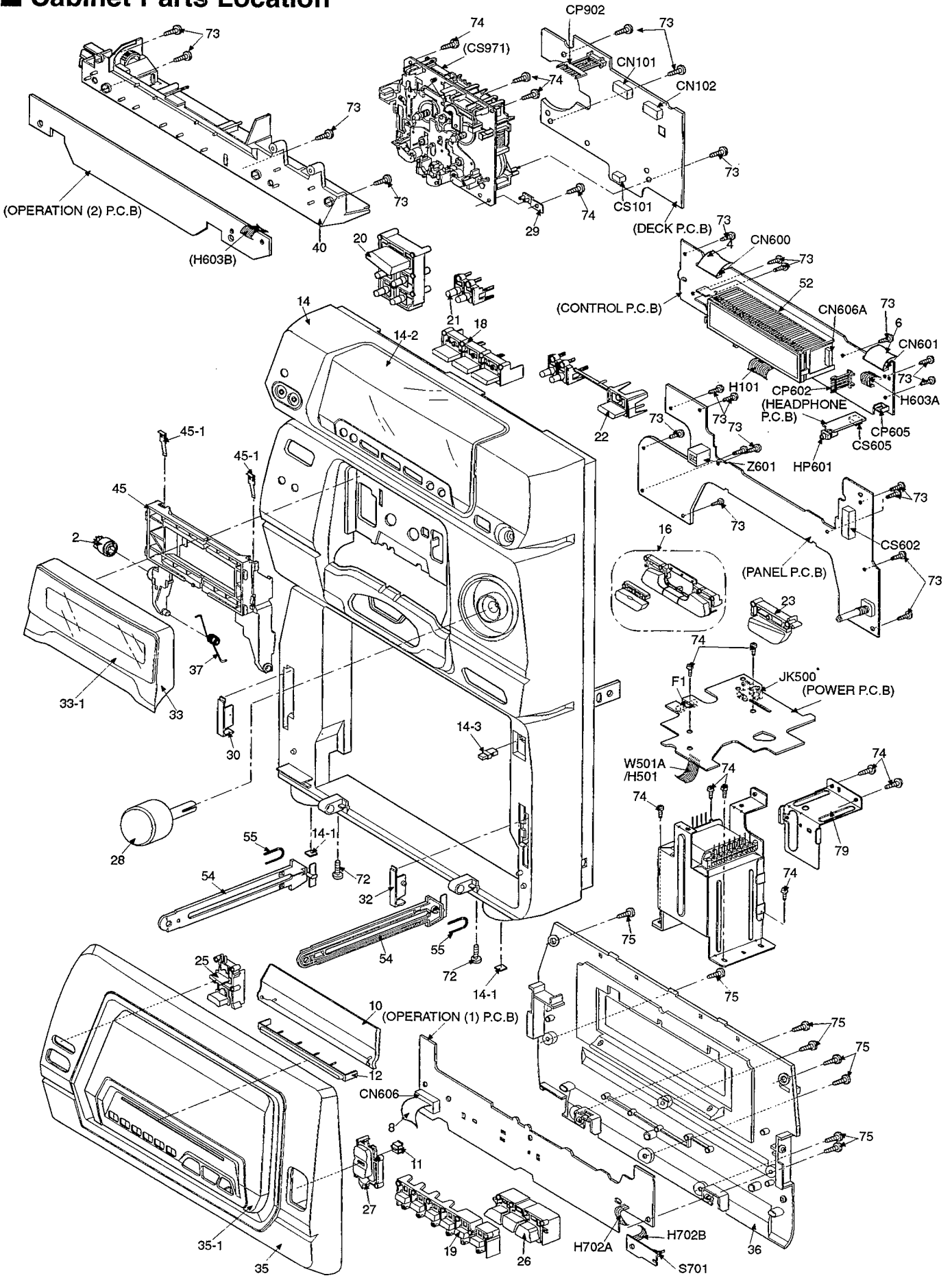
Loading Mechanism Parts Location

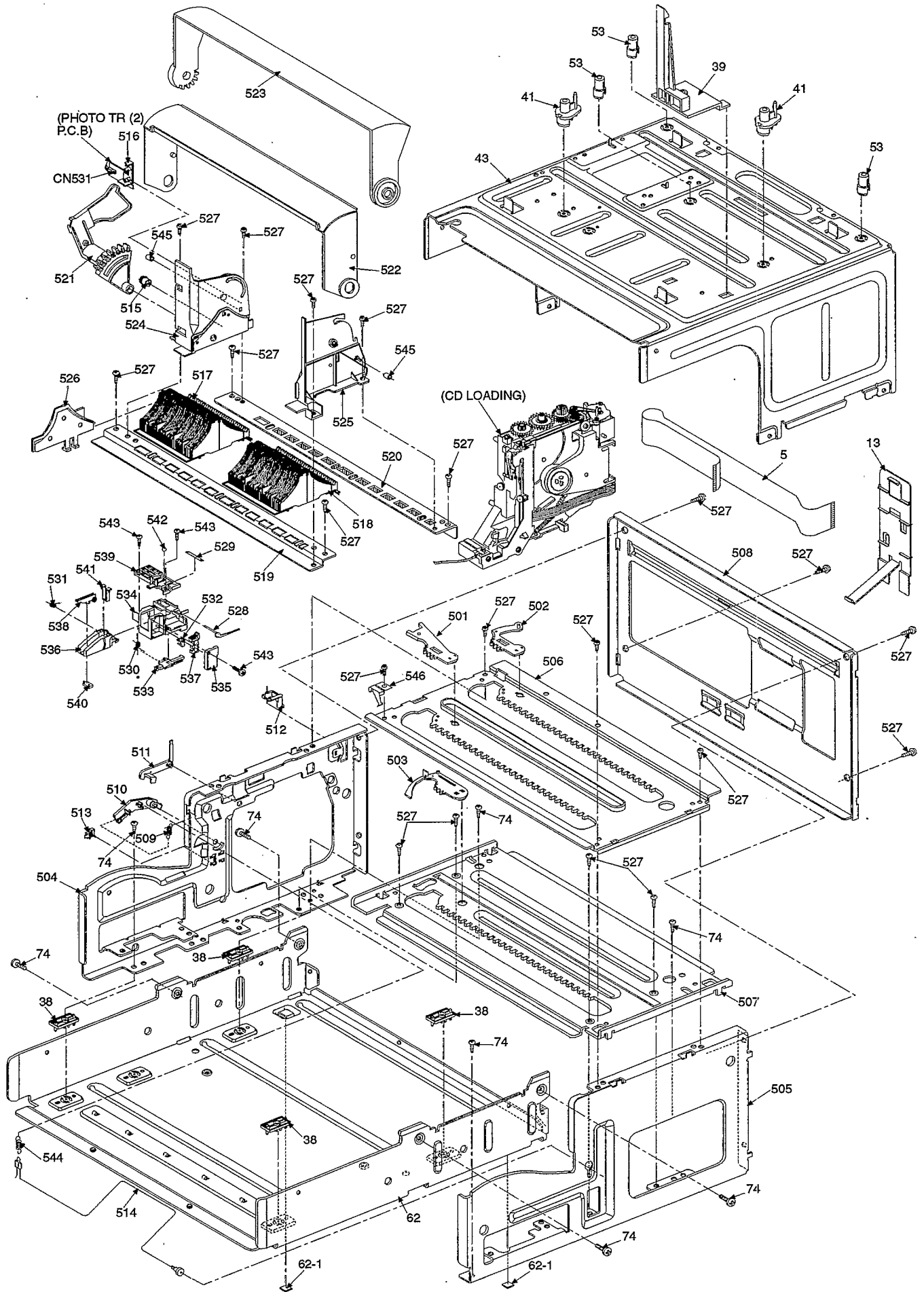


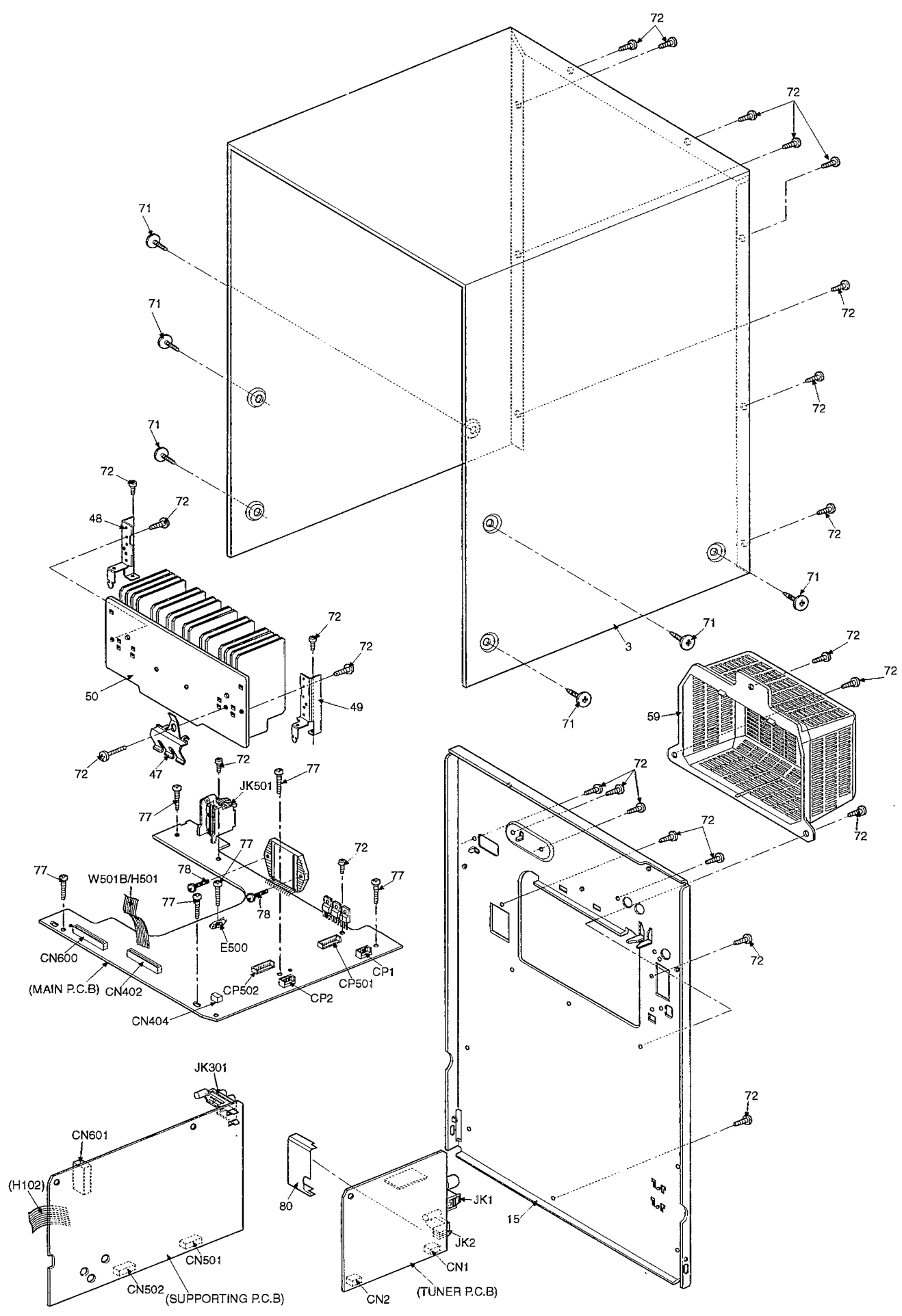
Note:
When changing mechanism parts, apply the specified grease to areas marked "X" as shown in the drawing.

Ref. No.	Part No.
①	RFKXPG671

Cabinet Parts Location







■ Replacement Parts List

Notes: • Important safety notice :

 Components identified by Δ mark have special characteristics important for safety.

Furthermore, special parts which have purposes of fire-retardant (resistors), high-quality sound (capacitors), low-noise (resistors), etc. are used. When replacing any of components, be sure to use only manufacturer's specified parts shown in the parts list.

- The parenthesized indications in the Remarks column specify the areas. (refer to the cover page for area.)

Parts without these indications can be used for all areas.

- [M] indicates in Remarks column parts that are supplied by MESA.
- [VRD] indicates in Remarks column parts that are supplied by Video Recorder Division.
- The "(SF)" mark denotes the standard part.
- Remote Control Unit : Supply period for three years from terminal of production.
- **Warning:** This product uses a laser diode. Refer to caution statements on page 3.

ACHTUNG : • Die lasereinheit nicht zerlegen.

• Die lasereinheit darf nur gegen eine vom hersteller spezifizierte einheit ausgetauscht werden.

Ref.No.	Part.No.	Part Name & Description	Remarks	Ref.No.	Part.No.	Part Name & Description	Remarks	Ref.No.	Part.No.	Part Name & Description	Remarks	
		CABINET AND CHASSIS			38	RMN0366	CD MECHA SUPPORT	[M]	IC306	BU2090F-E2	IC, IO EXPANDER	[M]
				39	RMN0367-1	MAIN PCB SUPPORT	[M]	IC401	UPD78043A042	IC, CHANGER U-COM	[M]	
2	RDG0129	DAMPER GEAR	[M]	40	RMQ0601	DECK MECHA FLAME	[M]	IC461	BA6247N	IC, MOTOR DRIVE		
3	RKM0318-K	CABINET	[M]	41	RMR0741-X	PCB SUPPORT (PIN)	[M]	IC501	RSN35H1	IC, HIC	Δ	
4	REE0698	22P FFC	[M]	43	RMK0311	SUB CHASSIS	[M]	IC502	AN78M05	IC, AMP		
5	REE0697	32P FFC	[M]	45	RFLKACH330AK	CASS. HOLDER ASS'Y	[M]	IC601	M38197MA131F	IC, MICROPROCESSOR	[M]	
6	REE0699	20P FFC	[M]	45-1	RUS757ZAA	CASS. HALF SPRING	[M]	IC701	BU2090F-E2	IC, IO EXPANDER	[M]	
8	REE0702	14P FFC	[M]	47	RMC0238	TRANSISTOR HOLDER		IC971	0N2180RLC	IC, HALL		
10	RGL0312-Q	CD LIGHTING PLATE	[M]	48	RMQ0575	HEAT SINK SUPPORT(L)	[M]					
11	RGL0313-Q	CD LIGHTING CHIP	[M]	49	RMQ0576	HEAT SINK SUPPORT(R)	[M]			TRANSISTORS		
12	RGL0326-Q	CD LIGHTING PIECE	[M]	50	RXX0102	HEAT SINK UNIT	[M]					
13	RMR0950-K	FFC HOLDER		52	RMN0376	FL HOLDER	[M]	Q6	2SC2787LTA	TRANSISTOR		
14	RFKGC64MEK1	FRONT PANEL ASS'Y	[M]	53	SHE187-4	PCB SUPPORT(W/O PIN)	[M]	Q7	RVTDTA149XST	TRANSISTOR		
14-1	RKA0059-K	LEG RUBBER	[M]	54	RKJ0016	SIDE STAY		Q8	2SC1740SSTA	TRANSISTOR		
14-2	RKW0429-V	FL WINDOW	[M]	55	RME0218	STAY SPRING	[M]	Q9	2SC1740SSTA	TRANSISTOR		
14-3	RMQ0215A	NS RATCH		59	RMV0085A	H.S. COVER	[M]	Q10	2SC2785FETA	TRANSISTOR		
15	RGR0232B-K	REAR PANEL	[M](E,EG)	62	RFKJCH94MPK	BOTTOM CHASSIS ASS'Y	[M]	Q11	2SC2785FETA	TRANSISTOR		
15	RGR0232B-L	REAR PANEL	[M](EB)	62-1	RKA0059-K	LEG RUBBER	[M]	Q12	2SC2787LTA	TRANSISTOR		
16	RGZX0024-K	MAIN CONTROL BUTTON	[M]	71	RHD30007	SCREW (TRANS)		Q13	2SC1740SSTA	TRANSISTOR		
18	RGU1378-K	SELECT BUTTON	[M]	72	XTBS3+8JFZ1	SCREW(H. SINK/CAB.)		Q14	2SC1740SSTA	TRANSISTOR		
19	RGU1408-K	FILE BUTTON	[M]	73	XTBS26+10J	SCREW(PANEL PCB)		Q15	2SC1740SSTA	TRANSISTOR		
20	RGU1399A-K	POWER BUTTON	[M]	74	XTB3+10JFZ	SCREW(TRANSFORMER)		Q101	2SJ40CDTA	TRANSISTOR		
21	RGU1403-K	TUNER BUTTON (B)	[M]	75	XTB3+8JFZ	SCREW(CD REAR PANEL)		Q102	2SJ40CDTA	TRANSISTOR		
22	RGU1404-K	TUNER BUTTON (C)	[M]	77	XTB3+20J	SCREW(POWER PCB)		Q105	2SJ40CDTA	TRANSISTOR		
23	RGU1400-K	OPEN BUTTON	[M]	78	XTW3+15T	SCREW(POWER IC)		Q106	2SJ40CDTA	TRANSISTOR		
25	RGU1411-K	CD BUTTON (A)	[M]	79	RMA0932	TRANS ANGLE		Q107	2SD1020HTA	TRANSISTOR	[M]	
26	RGU1412-K	CD BUTTON (B)	[M]	80	RSC0403	TUNER SHIELD PLATE	[M]	Q108	2SD1020HTA	TRANSISTOR	[M]	
27	RGU1413-K	CD BUTTON (C)	[M]					Q111	2SJ40CDTA	TRANSISTOR		
28	RGW0249-K	MAIN VOL KNOB	[M]			INTEGRATED CIRCUITS		Q112	2SJ40CDTA	TRANSISTOR		
29	RMQ0630	CASS. MECHA SUPPORT	[M]					Q113	2SD1302STA	TRANSISTOR		
30	RKQ0193-K	SIDE GRIL (L)		IC1	LA1832A	IC, IF/MPX		Q114	2SD1302STA	TRANSISTOR		
32	RKQ0194-K	SIDE GRIL (R)		IC2	LC7218	IC, PLL		Q115	2SC2785FTA	TRANSISTOR		
33	RFKLC64MPK	CASS. LID ASS'Y	[M]	IC101	TA8142AP	IC, PB/REC PRE-AMP		Q116	2SD1302STA	TRANSISTOR		
33-1	RKW0448-Q	CASSETTE WINDOW	[M]	IC102	BA7755A	IC, SWITCH		Q117	2SC2784FTA	TRANSISTOR	[M]	
35	RFKGC64MPK2	CD PANEL ASS'Y	[M]	IC301	BU4052BCF-E2	IC, ANALOG SW		Q118	2SC2784FTA	TRANSISTOR	[M]	
35-1	RKW0430-Q	CD WINDOW	[M]	IC303	BH3854AFS-E2	IC, SOUND PROCESSOR	[M]	Q121	BN1L3NTA	TRANSISTOR	[M]	
36	RFKCH94MPK1	CD REAR PANEL ASS'Y	[M]	IC304	M5218AP	IC, BUFFER AMP		Q122	BA1L4ZTA	TRANSISTOR	[M]	
37	RMB0474	CASS. OPEN SPRING		IC305	BA4558FDXE2	IC, OP AMP	[M]	Q123	2SC2785FTA	TRANSISTOR		

Ref No.	Part No.	Part Name & Description	Remarks	Ref No.	Part No.	Part Name & Description	Remarks	Ref No.	Part No.	Part Name & Description	Remarks
Q124	2SC2785FTA	TRANSISTOR		Q700	RVTDTTC114EST	TRANSISTOR		D601	1SS291TA	DIODE	
Q125	2SB621RTA	TRANSISTOR						D602	1SS291TA	DIODE	
Q126	2SB621RTA	TRANSISTOR				DIODES		D603	RVD1SS133TA	DIODE	
Q127	RVTDTTC124EST	TRANSISTOR	[M]					D604	RVD1SS133TA	DIODE	
Q128	RVTDTTC124EST	TRANSISTOR	[M]	D4	MTZJ5R1CTA	DIODE	[M]	D605	RVD1SS133TA	DIODE	
Q129	BA1L4ZTA	TRANSISTOR	[M]	D5	RVD1SS133TA	DIODE		D606	1SS291TA	DIODE	
Q131	2SD1020HTA	TRANSISTOR	[M]	D101	RVD1SS133TA	DIODE		D607	RVD1SS133TA	DIODE	
Q132	2SD1020HTA	TRANSISTOR	[M]	D102	RVD1SS133TA	DIODE		D609	MTZJ6R8BTA	DIODE	
Q133	BN1L3NTA	TRANSISTOR	[M]	D103	MTZJ3R6BTA	DIODE	[M]	D613	MA167TA	DIODE	
Q301	2SK301QTA	TRANSISTOR	[M]	D104	RVD1SS133TA	DIODE		D627	SLR-325MC	DIODE	
Q302	2SK301QTA	TRANSISTOR	[M]	D105	RVD1SS133TA	DIODE		D628	SLR-325MC	DIODE	
Q303	2SD1020HTA	TRANSISTOR	[M]	D111	1D3E	DIODE	[M]	D629	SLR-325MC	DIODE	
Q304	2SD1020HTA	TRANSISTOR	[M]	D112	1D3E	DIODE	[M]	D630	SLR-325MC	DIODE	
Q305	RVTDTA114EST	TRANSISTOR		D113	1D3E	DIODE	[M]	D632	SLR-325MC	DIODE	
Q306	RVTDTA114EST	TRANSISTOR		D301	RVD1SS133TA	DIODE		D701	LNJ301MPUJAD	DIODE	
Q307	2SD1450STA	TRANSISTOR		D302	RVD1SS133TA	DIODE		D703	LNJ301MPUJAD	DIODE	
Q308	2SD1450STA	TRANSISTOR		D303	RVD1SS133TA	DIODE		D705	LNJ301MPUJAD	DIODE	
Q313	2SC2785FETA	TRANSISTOR		D304	RVD1SS133TA	DIODE		D707	LNJ301MPUJAD	DIODE	
Q314	2SC2785FETA	TRANSISTOR		D307	MTZJ9R1CTA	DIODE		D709	LNJ301MPUJAD	DIODE	
Q315	2SC2001KTA	TRANSISTOR		D461	MTZJ7R5CTA	DIODE		D711	LNJ301MPUJAD	DIODE	
Q319	RVTDTTC124EST	TRANSISTOR	[M]	D462	MTZJ5R6BTA	DIODE		D713	LNJ301MPUJAD	DIODE	
Q411	2SD1020HTA	TRANSISTOR	[M]	D501	RL154M11	DIODE	⚠	D715	LNJ301MPUJAD	DIODE	
Q412	2SD1020HTA	TRANSISTOR	[M]	D502	RL154M11	DIODE	⚠	D716	SLR-325VC	DIODE	[M]
Q413	RVTDTA124EST	TRANSISTOR		D503	1N5402BM21	DIODE	⚠	D756	SLR-325MC	DIODE	
Q414	RVTDTTC124EST	TRANSISTOR	[M]	D504	1N5402BM21	DIODE	⚠	D971	MA165TA	DIODE	
Q418	RVTDTA114EST	TRANSISTOR		D505	1N5402BM21	DIODE	⚠				
Q461	RVTDTTC114TST	TRANSISTOR		D506	1N5402BM21	DIODE	⚠			VARIABLE RESISTOR	
Q462	RVTDTTC124EST	TRANSISTOR	[M]	D507	RVD1SS133TA	DIODE					
Q501	2SC2785FETA	TRANSISTOR		D508	1D3E	DIODE	[M]	VR603	RRV16B24104B	VR, JOG VOLUME	
Q502	2SC2785FETA	TRANSISTOR		D509	1D3E	DIODE	[M]				
Q503	2SB1185E	TRANSISTOR	⚠	D510	MTZJ5R1BTA	DIODE	⚠			SWITCHES	
Q504	2SA933SSTA	TRANSISTOR	⚠	D511	1D3E	DIODE	[M]				
Q505	2SD1762E	TRANSISTOR	[M]⚠	D512	1D3E	DIODE	[M]	S700	RSH1A91ZA-A	SW, CD	
Q506	2SC2001KTA	TRANSISTOR	⚠	D513	MTZJ10BTA	DIODE		S701	EVQ21405R	SW, SING. PLAY	
Q507	2SD1762E	TRANSISTOR	[M]⚠	D514	MTZJ10BTA	DIODE		S702	EVQ21405R	SW, CD_EDIT	
Q508	2SD1762E	TRANSISTOR	[M]⚠	D515	MTZJ10BTA	DIODE		S703	EVQ21405R	SW, GROUP_A	
Q509	2SB1185E	TRANSISTOR	⚠	D516	MTZJ15CTA	DIODE	⚠	S704	EVQ21405R	SW, GROUP_B	
Q510	RVTDTTC124EST	TRANSISTOR	[M]	D517	MTZJ15CTA	DIODE		S705	EVQ21405R	SW, GROUP_C	
Q511	2SC2785FETA	TRANSISTOR	⚠	D518	MTZJ8R2CTA	DIODE	⚠	S706	EVQ21405R	SW, GROUP_D	
Q512	RVTDTTC114TST	TRANSISTOR		D519	MTZJ5R6CTA	DIODE	⚠	S707	EVQ21405R	SW, GROUP_E	
Q513	2SD2037ETA	TRANSISTOR	[M]⚠	D520	MTZJ6R2CTA	DIODE	⚠	S708	EVQ21405R	SW, GROUP_F	
Q514	2SC2785FETA	TRANSISTOR		D526	MTZJ12BTA	DIODE		S709	EVQ21405R	SW, GROUP MODE	
Q600	2SC2001KTA	TRANSISTOR		D558	MTZJ12BTA	DIODE		S710	EVQ21405R	SW, GROUP ENTER	
Q601	BA1F4MTA	TRANSISTOR	[M]	D559	MTZJ10BTA	DIODE	⚠	S711	EVQ21405R	SW, GR ENTER NAME	
Q602	2SC2785FETA	TRANSISTOR		D561	RVD1SS133TA	DIODE		S712	EVQ21405R	SW, DISC SKIP UP	
Q603	2SC2785FETA	TRANSISTOR		D562	RVD1SS133TA	DIODE		S713	EVQ21405R	SW, DISC SKIP DOWN	
Q604	2SC2785FETA	TRANSISTOR		D563	RVD1SS133TA	DIODE		S715	EVQ21405R	SW, V. BASS	
Q605	2SC2785FETA	TRANSISTOR		D600	MTZJ7R5CTA	DIODE		S716	EVQ21405R	SW, EQ. SPACE	

Ref No.	Part No.	Part Name & Description	Remarks	Ref No.	Part No.	Part Name & Description	Remarks	Ref No.	Part No.	Part Name & Description	Remarks
S717	EVQ21405R	SW, AUX				COILS & TRANSFORMERS				FUSE	
S718	EVQ21405R	SW, TUNER									
S719	EVQ21405R	SW, CD		L3	RLQZPR47KT-Y	COIL		F1	XBA2C06TB0	FUSE	⚠
S720	EVQ21405R	SW, TAPE		L4	ELEPKR68MA	COIL					
S723	EVQ21405R	SW, REC. START		L5	ELEPKR68MA	COIL				FUSE HOLDERS	
S724	EVQ21405R	SW, REV. MODE		L6	ELELN822KL	RF CHOCK COIL					
S725	EVQ21405R	SW, T. REC/PLAY		L7	ELELN822KL	RF CHOCK COIL		FC501	SJT388	FUSE CLIP	
S726	EVQ21405R	SW, CLK/TIMER		L8	RLQZP1R0KT-Y	AXIAL COIL		FC502	SJT388	FUSE CLIP	
S727	EVQ21405R	SW, POWER		L9	SLM1B10-1M	A.B. FILTER					
S728	EVQ21405R	SW, MEM/SET		L101	RL08B003-K	BIAS OSC COIL				JACKS	
S729	EVQ21405R	SW, REV/DOWN		L103	RLQZB470KT-D	RF CHOKE COIL					
S730	EVQ21405R	SW, STOP/TU MODE		L500	SLQZ650MH49	PRIMARY COIL	⚠	JK1	RJH8201	JK,ANTENNA TERMINAL	[M]
S731	EVQ21405R	SW, FF/UP		L501	SLQY07G-40	SP COIL		JK2	SJS208	JK,LOOP ANT TERMINAL	
S732	EVQ21405R	SW, FM MODE/BP		L502	SLQY07G-40	SP COIL		JK301	SJF3068-7N	JK, RCA TERMINAL	
S733	EVQ21405R	SW, OPEN		L601	RLQZP3R9KT-Y	COIL		JK500	SJS9236	JK, AC INLET	⚠
S971	RSH1A018-1U	SW, MODE DETECT		L602	RLQZP2R2KT-Y	COIL		JK501	RJR0054	JK, SP TERMINAL	
S972	RSH1A019-2U	SW, TAPE DETECT		L603	RLQZB272KT-D	COIL					
S973	RSH1A019-2U	SW, CrO2 DETECT		L604	RLQZP100KT-Y	AXIAL COIL				EARTH TERMINAL	
S974	RSH1A019-2U	SW, REC DETECT		L605	RLQZP100KT-Y	AXIAL COIL					
S975	RSH1A019-2U	SW, REC DETECT		L606	RLQZP100KT-Y	AXIAL COIL		E500	SNE1004-2	EARTH TERMINAL	
				T500	RTP1M3B008-V	POWER TRANSFORMER	[M]⚠				
		CONNECTORS								HOLDERS	
						COMPONENT COMBINATION					
CN1	RJU063W07T	7P B-B CONNECTOR						H101	RMR0320	WIRE HOLDER	
CN2	RJU063W07T	7P B-B CONNECTOR		Z1	RLA62005M-T	AM ANT/OSC		H102	RMR0319	WIRE HOLDER	[M]
CN101	RJS11T7ZA	CONNECTOR		Z2	RLI2Z006M-T	AM IFT		H501	RJS1A5508	8P WIRE HOLDER	
CN102	RJS10T7ZA	CONNECTOR		Z3	ENV17290G1R	FM TUNER PACK		H603A	RMR0316	7P CABLE HOLDER	
CN402	RJS2A3332	32P FFC CONNECTOR		Z601	RCDGP1U58XD	REMOCON SENSOR		H603B	RMR0316	7P CABLE HOLDER	
CN404	RJS1A6603	CONNECTOR		Z971	EXBF7L355SYV	MODE SELECTOR					
CN501	RJU057W009	CONNECTOR								RELAY	
CN502	RJU057W009	CONNECTOR				CERAMIC FILTERS					
CN600	RJS1A6822	22P FFC CONNECTOR						RLY501	RSY0015M-0	RELAY	
CN601	RJS1A6820	20P FFC CONNECTOR		CF1	RLFFETNGA01L	(FM CF)					
CN606A	RJS1A6214-1	14P FFC CONNECTOR		CF2	RLFFETNGA02L	(FM CF)				HEADPHONE	
CN606	RJS1A6814	FF CONNECTOR									
CP1	RJT063W07T	7P CONNECTOR(CD-G)				OSCILLATORS		HP601	RJJ37TK01-1C	JK, PHONE	
CP2	RJT063W07T	7P CONNECTOR(CD-G)									
CP501	RJT057W009-1	CONNECTOR		X1	RSXZ456KM01	19KHZ OSC				PACKING MATERIALS	
CP502	RJT057W009-1	CONNECTOR		X2	RLFDFT12DD	FM RESONATOR					
CP602	RJT071H09A	9P B-B PIN		X3	SVQ49U722T-S	7.2MHZ XTAL		P1	RPG2931	PACKING CASE	[M]
CP605	RJT057W004-1	CONNECTOR (4P)		X401	RSXY4M23M01T	CRYSTAL RESONATOR		P3	RPF0008	POLYBAG	[M]
CP902	RJT071H09A	9P B-B PIN		X601	RSXD32K7S02	32.768HKZ XTAL	[M]	P4	RPN0954-1	POLYFOAM	[M]
CS101	RJS1A6805-J	CONNECTOR SOC.(5P)	[M]					P5	SPSD152	ACCESSORY CASE	(EB, EG)
CS602	RJU071H09M	CONNECTOR				DISPLAY TUBE		P5	SPSD155	ACCESSORY CASE	(E)
CS605	RJU057W004	SOCKET (4P)						P6	XZB24X33C04	VINYL BAG	
CS971	RJU071H09M1	9P CONNECTOR	[M]	FL601	RSL0220-F	FL	[M]				

Ref No.	Part No.	Part Name & Description	Remarks	Ref No.	Part No.	Part Name & Description	Remarks	Ref No.	Part No.	Part Name & Description	Remarks
		ACCESSORIES		531	RME0204	EJECT LEVER SPRING				SWITCHES	
				532	RML0438	EJECT MIDDLE LEVER					
A1	EUR644340	REMOTE CONTROL	[M]	533	RML0439	EJECT SLIDE PLATE		S501	RSP1A017-A	LOCK DET./MLOCK	
A1-1	UR64EC1822-3	R/C BATTERY COVER	[M]	534	RMR0938-K	EJECT BASE		S502	RSH1A005	CLAMP DET.	
A2	RSA0007	FM ANTENA		535	RMR0939-K	EJECT COVER		S503	RSH1A005	CLAMP DET./FREE	
A3	RSA0010	AM LOOP ANT		536	RMR0940-K	EJECT LEVER		S701	RSM0006-P	SW, RESET	
A4	RJA0019-2K	AC CORD (SF)	(E,EG)A	537	RMR0941-H	EJECT BUTTON					
A4	VJA0733	AC CORD A(SF)	[VRD](EB)	538	RMR0943-H	EJECT HOLD LEVER				CONNECTORS	
A5	RFKNSCH64MEK	INST. MANUAL ASS'Y	[M](E)	539	RMR0958-K	EJECT GUIDE					
A5	RQT3448-D	INSTRUCTION MANUAL	[M](EG)	540	RMR0964-K	EJECT PAD (A)		CN501	RJS2A3332	CONNECTOR (32P)	
A5	RQT3449-B	INSTRUCTION MANUAL	[M](EB)	541	RMR0965-K	EJECT PAD (B)		CN502	RJS1A6223-1	CONNECTOR (23P)	
A6	RFA0622-K1	FILE BOOK		542	SFYB5-32	STEEL BALL		CN503	RJT057W007-1	CONNECTOR (7P)	
A7	RQLA0321	NUMBER SHEET		543	XTN2+6JFZ	SCREW		CN504	RJS7T4ZA	CONNECTOR (7P)	
A8	SJP9009	ANT ADAPTER	(EB)	544	RMB0454	GUARD ROPE SPRING		CN511	RJU057W007	SOCKET (7P)	
				545	RMG0200	CUSHION RUBBER		CN521	RJS7T7ZA	CONNECTOR (7P)	
		<CD MECHANISM UNIT>		546	RMC0316	SPRING PLATE		CN531	SJT30344-H	CONNECTOR (3P)	
		CABINET AND CHASSIS						CN701	RJU035T016-1	16P FFC CONNECTOR	
						INTEGRATED CIRCUITS		CN702	RJS1A6723-1Q	23P FFC CONNECTOR	
501	RDG0333	FRONT LOCK GEAR									
502	RDG0334	REAR LOCK GEAR		IC701	AN8835SBE1	IC, SERVO AMP.				OSCILLATOR	
503	RDG0374	LOWER LOCK GEAR		IC702	MN662741RPA	IC, SERVO PROCESSOR					
504	RMA0904	SLIDE PLATE (L)		IC703	AN8389SE1	IC, COIL/MOTOR DRIVE		X701	RSXZ16M9M01T	CERAMIC OSC	
505	RMA0905	SLIDE PLATE (R)									
506	RMA0906	UPPER RAIL				TRANSISTORS					
507	RMA0907	LOWER RAIL									
508	RMA0908	REAR SUPPORT PLATE		Q501	2SB1320AQRTA	TRANSISTOR					
509	RMB0469	LOCK ARM SPRING		Q502	2SC3311AIQST	TRANSISTOR					
510	RML0421	STAY LOCK ARM		Q521	PT4810F	TRANSISTOR					
511	RML0436	FRONT LOCK PLATE		Q522	PT480F	TRANSISTOR					
512	RML0437	REAR LOCK PLATE		Q523	PT480F	TRANSISTOR					
513	RMR0959-K	ROPE GUIDE		Q531	PT480F	TRANSISTOR					
514	RMW0007	GUARD ROPE		Q701	2SB709S	TRANSISTOR					
515	RDG0183	DAMPER GEAR									
516	RMN0388	SINGLE SENOR HOLDER				DIODES					
517	RFKNLMC50PCK	DISC STOCKER (A)									
518	RFKNLMC50PKD	DISC STOCKER (B)		D501	MA165	DIODE					
519	RMA0910	FRONT STOCKER STAND		D511	RSQGP1S53V	LED (SPEED SENSOR)					
520	RMA0911	REAR STOCKER STAND		D521	LN66S	LED (DISC SENSOR)					
521	RML0419	SHUTTER LEVER (L)		D522	GL480V	LED (POSIT. SENSOR)					
522	RMR0930-K	SHUTTER INSIDE		D523	BR3433S	LED					
523	RMR0931-K	SHUTTER OUTSIDE		D531	GL480V	LED(SINGLE SENSOR)					
524	RMR0932-K	SHUTTER SUPPORT(L)									
525	RMR0933-K	SHUTTER SUPPORT(R)				VARIABLE RESISTOR					
526	RMR0948-H	S PARTITION PLATE									
527	XTB3+6F	SCREW		VR501	EVMLGGA00B14	VR, CD SENSOR					
528	RFKNLMC50PEK	EJECT PUSH LEVER									
529	RMC0291	EJECT CLICK SPRING									
530	RME0203	EJECT SLIDE SPRING									

Resistors & Capacitors

Notes : • Important safety notice:

Components identified by Δ mark have special characteristics important for safety.

Furthermore, special parts which have purposes of fire-retardant (resistors), high-quality sound (capacitors), low-noise (resistors), etc. are used. When replacing any of components, be sure to use only manufacturer's specified parts shown in the parts list.

- [M] indicates in Remarks column parts that are supplied by MESA.
- Capacitor values are in microfarad (μ F) unless specified otherwise, P=Pico-farads (pF) F=Farads (F)
- Resistors values are in ohms, unless specified otherwise, 1k=1,000(OHM), 1M=1,000k(OHM)

RefNo.	Part No.	Values & Remarks	RefNo.	Part No.	Values & Remarks	RefNo.	Part No.	Values & Remarks	RefNo.	Part No.	Values & Remarks
	RESISTORS		R57	ERDS2TJ103T	10K 1/4W	R136	ERDS2TJ474T	470K 1/4W	R309	ERDS2TJ272T	2.7K 1/4W
			R58	ERDS2TJ103T	10K 1/4W	R137	ERDS2TJ474T	470K 1/4W	R310	ERDS2TJ272T	2.7K 1/4W
R15	ERDS2TJ181T	180 1/4W	R60	ERDS2TJ563T	56K 1/4W	R138	ERDS2TJ474T	470K 1/4W	R311	ERDS2TJ103T	10K 1/4W
R16	ERDS2TJ153T	15K 1/4W	R61	ERDS2TJ102T	1K 1/4W	R139	ERDS2TJ223T	22K 1/4W	R312	ERDS2TJ103T	10K 1/4W
R17	ERDS2TJ331T	330 1/4W	R63	ERDS2TJ102T	1K 1/4W	R140	ERDS2TJ223T	22K 1/4W	R313	ERDS2TJ272T	2.7K 1/4W
R18	ERDS2TJ471T	470 1/4W	R64	ERDS2TJ820T	82 1/4W	R143	ERDS2TJ104T	100K 1/4W	R314	ERDS2TJ103T	10K 1/4W
R19	ERDS2TJ474T	470K 1/4W	R65	ERDS2TJ103T	10K 1/4W	R144	ERDS2TJ104T	100K 1/4W	R315	ERDS2TJ104T	100K 1/4W
R20	ERDS2TJ562T	5.6K 1/4W	R71	ERDS2TJ182T	1.8K 1/4W	R145	ERDS2TJ104T	100K 1/4W	R316	ERDS2TJ104T	100K 1/4W
R21	ERDS2TJ822T	8.2K 1/4W	R72	ERDS2TJ122T	1.2K 1/4W	R147	ERDS2TJ102T	1K 1/4W	R317	ERDS2TJ103T	10K 1/4W
R22	ERDS2TJ473T	47K 1/4W	R73	ERDS2TJ122T	1.2K 1/4W	R148	ERDS2TJ102T	1K 1/4W	R318	ERDS2TJ103T	10K 1/4W
R23	ERDS2TJ332T	3.3K 1/4W	R74	ERDS2TJ103T	10K 1/4W	R150	ERDS2TJ222T	2.2K 1/4W	R319	ERDS2TJ103T	10K 1/4W
R24	ERDS2TJ472T	4.7K 1/4W	R75	ERDS2TJ222T	2.2K 1/4W	R151	ERDS2TJ472T	4.7K 1/4W	R321	ERDS2TJ102T	1K 1/4W
R25	ERDS2TJ271T	270 1/4W	R76	ERDS2TJ331T	330 1/4W	R152	ERDS2TJ472T	4.7K 1/4W	R322	ERDS2TJ102T	1K 1/4W
R26	ERDS2TJ471T	470 1/4W	R77	ERDS2TJ474T	470K 1/4W	R153	ERDS2TJ4R7T	4.7 1/4W	R323	ERDS2TJ104T	100K 1/4W
R27	ERDS2TJ272T	2.7K 1/4W	R101	ERDS2TJ223T	22K 1/4W	R154	ERDS2TJ331T	330 1/4W	R324	ERDS2TJ104T	100K 1/4W
R28	ERDS2TJ473T	47K 1/4W	R102	ERDS2TJ223T	22K 1/4W	R156	ERDS2TJ103T	10K 1/4W	R325	ERDS2TJ472T	4.7K 1/4W
R29	ERDS2TJ680T	68 1/4W	R103	ERDS2TJ820T	82 1/4W	R157	ERDS2TJ222T	2.2K 1/4W	R326	ERDS2TJ472T	4.7K 1/4W
R32	ERDS2TJ272T	2.7K 1/4W	R104	ERDS2TJ820T	82 1/4W	R158	ERDS2TJ222T	2.2K 1/4W	R327	ERDS2TJ102T	1K 1/4W
R33	ERDS2TJ272T	2.7K 1/4W	R105	ERDS2TJ822T	8.2K 1/4W	R159	ERDS2TJ332T	3.3K 1/4W	R328	ERDS2TJ102T	1K 1/4W
R34	ERDS2TJ272T	2.7K 1/4W	R106	ERDS2TJ822T	8.2K 1/4W	R160	ERDS2TJ682T	6.8K 1/4W	R329	ERDS2TJ104T	100K 1/4W
R35	ERDS2TJ272T	2.7K 1/4W	R107	ERDS2TJ334T	330K 1/4W	R163	ERDS2TJ102T	1K 1/4W	R330	ERDS2TJ104T	100K 1/4W
R36	ERDS2TJ474T	470K 1/4W	R108	ERDS2TJ334T	330K 1/4W	R164	ERDS2TJ2R7T	2.7 1/4W	R331	ERDS2TJ182T	1.8K 1/4W
R37	ERDS2TJ474T	470K 1/4W	R109	ERDS2TJ472T	4.7K 1/4W	R165	ERDS2TJ102T	1K 1/4W	R332	ERDS2TJ182T	1.8K 1/4W
R38	ERDS2TJ272T	2.7K 1/4W	R110	ERDS2TJ472T	4.7K 1/4W	R170	ERDS2TJ561T	560 1/4W	R333	ERDS2TJ562T	5.6K 1/4W
R39	ERDS2TJ272T	2.7K 1/4W	R111	ERDS2TJ222T	2.2K 1/4W	R171	ERDS2TJ222T	2.2K 1/4W	R334	ERDS2TJ562T	5.6K 1/4W
R40	ERDS2TJ391T	390 1/4W	R112	ERDS2TJ222T	2.2K 1/4W	R172	ERDS2TJ104T	100K 1/4W	R335	ERDS2TJ123T	12K 1/4W
R41	ERDS2TJ102T	1K 1/4W	R115	ERDS2TJ102T	1K 1/4W	R173	ERDS2TJ104T	100K 1/4W	R336	ERDS2TJ123T	12K 1/4W
R42	ERDS2TJ102T	1K 1/4W	R116	ERDS2TJ102T	1K 1/4W	R174	ERDS2TJ823T	82K 1/4W	R337	ERDS2TJ104T	100K 1/4W
R43	ERDS2TJ102T	1K 1/4W	R117	ERDS2TJ102T	1K 1/4W	R175	ERDS2TJ470T	47 1/4W	R338	ERDS2TJ104T	100K 1/4W
R44	ERDS2TJ102T	1K 1/4W	R118	ERDS2TJ562T	5.6K 1/4W	R176	ERDS2TJ2R7T	2.7 1/4W	R339	ERDS2TJ121T	120 1/4W
R45	ERDS2TJ102T	1K 1/4W	R120	ERDS2TJ392T	3.9K 1/4W	R177	ERDS2TJ103T	10K 1/4W	R340	ERDS2TJ121T	120 1/4W
R46	ERDS2TJ104T	100K 1/4W	R121	ERDS2TJ392T	3.9K 1/4W	R178	ERDS2TJ223T	22K 1/4W	R341	ERDS2TJ224T	220K 1/4W
R47	ERDS2TJ562T	5.6K 1/4W	R122	ERDS2TJ681T	680 1/4W	R179	ERDS2TJ332T	3.3K 1/4W	R342	ERDS2TJ105T	1M 1/4W
R48	ERDS2TJ391T	390 1/4W	R123	ERDS2TJ681T	680 1/4W	R181	ERDS2TJ103T	10K 1/4W	R343	ERDS2TJ121T	120 1/4W
R49	ERDS2TJ561T	560 1/4W	R128	ERDS2TJ822T	8.2K 1/4W	R182	ERDS2TJ1R0T	1 1/4W	R344	ERDS2TJ121T	120 1/4W
R50	ERDS2TJ102T	1K 1/4W	R129	ERDS2TJ822T	8.2K 1/4W	R183	ERDS2TJ102T	1K 1/4W	R345	ERDS2TJ121T	120 1/4W
R51	ERDS2TJ103T	10K 1/4W	R130	ERDS2TJ470T	47 1/4W	R184	ERDS2TJ472T	4.7K 1/4W	R346	ERDS2TJ121T	120 1/4W
R52	ERDS2TJ102T	1K 1/4W	R131	ERDS2TJ470T	47 1/4W	R188	ERDS2TJ104T	100K 1/4W	R347	ERDS2TJ561T	560 1/4W
R53	ERDS2TJ102T	1K 1/4W	R132	ERDS2TJ335T	3.3M 1/4W	R301	ERDS2TJ223T	22K 1/4W	R348	ERDS2TJ222T	2.2K 1/4W
R54	ERDS2TJ102T	1K 1/4W	R133	ERDS2TJ101T	100 1/4W	R302	ERDS2TJ223T	22K 1/4W	R349	ERDS2TJ102T	1K 1/4W
R55	ERDS2TJ102T	1K 1/4W	R134	ERDS2TJ153T	15K 1/4W	R303	ERDS2TJ272T	2.7K 1/4W	R350	ERDS2TJ224T	220K 1/4W
R56	ERDS2TJ102T	1K 1/4W	R135	ERDS2TJ153T	15K 1/4W	R304	ERDS2TJ272T	2.7K 1/4W	R351	ERDS2TJ105T	1M 1/4W

Ref No.	Part No.	Values & Remarks	Ref No.	Part No.	Values & Remarks	Ref No.	Part No.	Values & Remarks	Ref No.	Part No.	Values & Remarks
R352	ERDS2TJ472T	4.7K 1/4W	R405	ERDS2TJ102T	1K 1/4W	R540	ERDS1FVJ220T	22 1/2W	R615	ERDS2TJ102T	1K 1/4W
R353	ERDS2TJ472T	4.7K 1/4W	R406	ERDS2TJ102T	1K 1/4W	R541	ERDS1FVJ470T	47 1/2W	R616	ERDS2TJ103T	10K 1/4W
R355	ERDS2TJ474T	470K 1/4W	R407	ERDS2TJ103T	10K 1/4W	R542	ERDS1FVJ470T	47 1/2W	R617	ERDS2TJ106T	10M 1/4W
R356	ERDS2TJ562T	5.6K 1/4W	R408	ERDS2TJ122T	1.2K 1/4W	R543	ERDS1FVJ470T	47 1/2W	R618	ERDS2TJ334T	330K 1/4W
R357	ERDS2TJ562T	5.6K 1/4W	R409	ERDS2TJ473T	47K 1/4W	R545	ERDS1FVJ1R0T	1 1/2W	R619	ERDS2TJ681T	680 1/4W
R359	ERDS2TJ105T	1M 1/4W	R410	ERDS2TJ103T	10K 1/4W	R547	ERDS1FVJ152T	1.5K 1/2W	R620	ERDS2TJ472T	4.7K 1/4W
R361	ERDS2TJ562T	5.6K 1/4W	R411	ERDS2TJ103T	10K 1/4W	R548	ERDS1FVJ152T	1.5K 1/2W	R621	ERDS2TJ472T	4.7K 1/4W
R362	ERDS2TJ562T	5.6K 1/4W	R412	ERDS2TJ103T	10K 1/4W	R549	ERDS2TJ151T	150 1/4W	R625	ERDS2TJ101T	100 1/4W
R363	ERDS2TJ823T	82K 1/4W	R413	ERDS2TJ272T	2.7K 1/4W	R550	ERDS2TJ151T	150 1/4W	R626	ERDS2TJ101T	100 1/4W
R364	ERDS2TJ823T	82K 1/4W	R416	ERDS2TJ102T	1K 1/4W	R551	ERDS2TJ151T	150 1/4W	R627	ERDS2TJ104T	100K 1/4W
R365	ERDS2TJ822T	8.2K 1/4W	R417	ERDS2TJ472T	4.7K 1/4W	R552	ERDS2TJ180T	18 1/4W	R628	ERDS2TJ104T	100K 1/4W
R366	ERDS2TJ822T	8.2K 1/4W	R418	ERDS2TJ181T	180 1/4W	R553	ERDS2TJ180T	18 1/4W	R629	ERDS2TJ104T	100K 1/4W
R367	ERDS2TJ222T	2.2K 1/4W	R419	ERDS2TJ472T	4.7K 1/4W	R554	ERDS2TJ180T	18 1/4W	R630	ERDS2TJ104T	100K 1/4W
R368	ERDS2TJ102T	1K 1/4W	R420	ERDS2TJ472T	4.7K 1/4W	R555	ERDS2TJ471T	470 1/4W	R631	ERDS2TJ104T	100K 1/4W
R370	ERDS2TJ102T	1K 1/4W	R424	ERDS2TJ104T	100K 1/4W	R556	ERDS2TJ180T	18 1/4W	R632	ERDS2TJ104T	100K 1/4W
R371	ERDS2TJ102T	1K 1/4W	R425	ERDS2TJ181T	180 1/4W	R557	ERDS2TJ681T	680 1/4W	R633	ERDS2TJ104T	100K 1/4W
R372	ERDS2TJ473T	47K 1/4W	R454	ERDS2TJ472T	4.7K 1/4W	R558	ERDS2TJ151T	150 1/4W	R634	ERDS2TJ104T	100K 1/4W
R373	ERDS2TJ103T	10K 1/4W	R461	ERDS2TJ561T	560 1/4W	R559	ERDS2TJ681T	680 1/4W	R635	ERDS2TJ223T	22K 1/4W
R374	ERDS2TJ222T	2.2K 1/4W	R462	ERDS2TJ331T	330 1/4W	R561	ERDS2TJ223T	22K 1/4W	R636	ERDS2TJ331T	330 1/4W
R375	ERDS2TJ222T	2.2K 1/4W	R463	ERDS2TJ821T	820 1/4W	R562	ERDS2TJ181T	180 1/4W	R638	ERDS2TJ103T	10K 1/4W
R376	ERDS2TJ333T	33K 1/4W	R464	ERDS2TJ821T	820 1/4W	R563	ERDS2TJ273T	27K 1/4W	R639	ERDS2TJ103T	10K 1/4W
R377	ERDS2TJ333T	33K 1/4W	R465	ERDS2TJ561T	560 1/4W	R564	ERDS2TJ223T	22K 1/4W	R640	ERDS2TJ103T	10K 1/4W
R378	ERDS2TJ222T	2.2K 1/4W	R487	ERDS2TJ102T	1K 1/4W	R565	ERDS2TJ331T	330 1/4W	R641	ERDS2TJ103T	10K 1/4W
R380	ERDS2TJ102T	1K 1/4W	R488	ERDS2TJ152T	1.5K 1/4W	R566	ERDS2TJ332T	3.3K 1/4W	R642	ERDS2TJ473T	47K 1/4W
R381	ERDS2TJ102T	1K 1/4W	R501	ERDS2TJ102T	1K 1/4W	R567	ERDS2TJ472T	4.7K 1/4W	R643	ERDS2TJ473T	47K 1/4W
R382	ERDS2TJ102T	1K 1/4W	R502	ERDS2TJ102T	1K 1/4W	R568	ERDS2TJ332T	3.3K 1/4W	R644	ERDS2TJ101T	100 1/4W
R382	ERDS2TJ472T	4.7K 1/4W	R503	ERDS2TJ563T	56K 1/4W	R569	ERDS2TJ332T	3.3K 1/4W	R645	ERDS2TJ101T	100 1/4W
R383	ERDS2TJ102T	1K 1/4W	R504	ERDS2TJ563T	56K 1/4W	R570	ERDS2TJ103T	10K 1/4W	R646	ERDS2TJ101T	100 1/4W
R384	ERDS2TJ102T	1K 1/4W	R505	ERDS2TJ392T	3.9K 1/4W	R572	ERDS1FVJ151T	150 1/2W	R647	ERDS2TJ101T	100 1/4W
R385	ERDS2TJ683T	68K 1/4W	R506	ERDS2TJ392T	3.9K 1/4W	R576	ERDS2TJ102T	1K 1/4W	R666	ERDS2TJ104T	100K 1/4W
R386	ERDS2TJ683T	68K 1/4W	R507	ERDS2TJ563T	56K 1/4W	R577	ERDS2TJ151T	150 1/4W	R667	ERDS2TJ104T	100K 1/4W
R387	ERDS2TJ222T	2.2K 1/4W	R508	ERDS2TJ563T	56K 1/4W	R578	ERDS1FVJ151T	150 1/2W	R681	ERDS2TJ223T	22K 1/4W
R388	ERDS2TJ562T	5.6K 1/4W	R509	ERDS1FVJ100T	10 1/2W	R579	ERDS1FVJ151T	150 1/2W	R682	ERDS2TJ223T	22K 1/4W
R389	ERDS2TJ562T	5.6K 1/4W	R510	ERDS1FVJ100T	10 1/2W	R580	ERDS2TJ100T	10 1/4W	R683	ERDS2TJ223T	22K 1/4W
R392	ERDS2TJ102T	1K 1/4W	R511	ERDS2TJ823T	82K 1/4W	R581	ERDS2TJ100T	10 1/4W	R685	ERDS2TJ223T	22K 1/4W
R393	ERDS2TJ102T	1K 1/4W	R512	ERDS2TJ124T	120K 1/4W	R582	ERDS1FVJ3R3T	3.3 1/2W	R686	ERDS2TJ223T	22K 1/4W
R394	ERDS2TJ102T	1K 1/4W	R513	ERDS2TJ684T	680K 1/4W	R583	ERDS2TJ330T	33 1/4W	R687	ERDS2TJ331T	330 1/4W
R395	ERDS2TJ331T	330 1/4W	R514	ERDS2TJ563T	56K 1/4W	R584	ERDS2TJ330T	33 1/4W	R690	ERDS2TJ121T	120 1/4W
R396	ERDS2TJ272T	2.7K 1/4W	R515	ERDS2TJ103T	10K 1/4W	R585	ERDS2TJ330T	33 1/4W	R694	ERDS2TJ102T	1K 1/4W
R397	ERDS2TJ222T	2.2K 1/4W	R516	ERD2FCVG470T	47 1/4W	R586	ERDS2TJ330T	33 1/4W	R695	ERDS2TJ102T	1K 1/4W
R398	ERDS2TJ472T	4.7K 1/4W	R517	ERDS2TJ222T	2.2K 1/4W	R587	ERDS2TJ330T	33 1/4W	R696	ERDS2TJ122T	1.2K 1/4W
R398	ERDS2TJ473T	47K 1/4W	R518	ERDS2TJ222T	2.2K 1/4W	R606	ERDS2TJ824T	820K 1/4W	R697	ERDS2TJ182T	1.8K 1/4W
R399	ERDS2TJ123T	12K 1/4W	R519	ERDS2TJ563T	56K 1/4W	R609	ERDS2TJ101T	100 1/4W	R698	ERDS2TJ104T	100K 1/4W
R400	ERDS2TJ123T	12K 1/4W	R531	ERDS2TJ330T	33 1/4W	R610	ERDS2TJ101T	100 1/4W	R699	ERDS2TJ104T	100K 1/4W
R401	ERDS2TJ562T	5.6K 1/4W	R532	ERDS2TJ330T	33 1/4W	R611	ERDS2TJ473T	47K 1/4W	R700	ERDS2TJ102T	1K 1/4W
R402	ERDS2TJ562T	5.6K 1/4W	R537	ERDS1FVJ220T	22 1/2W	R612	ERDS2TJ101T	100 1/4W	R701	ERDS2TJ102T	1K 1/4W
R403	ERDS2TJ102T	1K 1/4W	R538	ERDS1FVJ220T	22 1/2W	R613	ERDS2TJ102T	1K 1/4W	R702	ERDS2TJ122T	1.2K 1/4W
R404	ERDS2TJ102T	1K 1/4W	R539	ERDS1FVJ220T	22 1/2W	R614	ERDS2TJ102T	1K 1/4W	R703	ERDS2TJ182T	1.8K 1/4W

Ref No	Part No.	Values & Remarks	Ref No.	Part No.	Values & Remarks	Ref No.	Part No.	Values & Remarks	Ref No.	Part No.	Values & Remarks
R704	ERDS2TJ222T	2.2K 1/4W	C24	ECBT1H473ZF5	0.047 50V	C103	ECBT1H681KB5	680P 50V	C163	ECEA1EKA4R7B	4.7 25V
R705	ERDS2TJ272T	2.7K 1/4W	C25	ECEA1HKA4R7B	4.7 50V	C104	ECBT1H681KB5	680P 50V	C164	ECQV1H474JZ3	0.47 50V
R706	ERDS2TJ472T	4.7K 1/4W	C26	ECBT1C822MS5	8200P 16V	C106	ECBT1H331KB5	330P 50V	C173	ECBT1C103NS5	0.01 16V
R707	ERDS2TJ682T	6.8K 1/4W	C27	ECQP1821JZT	820P 100V[M]	C107	ECBT1H331KB5	330P 50V	C174	ECEA1AKA470B	47 10V
R723	ERDS2TJ102T	1K 1/4W	C28	ECEA1HKA010B	1 50V	C108	ECEA1AKA330B	33 10V	C301	ECBT1H101KB5	100P 50V
R724	ERDS2TJ102T	1K 1/4W	C29	ECFR1C103KR	0.01 16V	C109	ECEA1AKA330B	33 10V	C302	ECBT1H101KB5	100P 50V
R725	ERDS2TJ122T	1.2K 1/4W	C30	ECFR1C103KR	0.01 16V	C110	ECBT0J153MS5	0.015 6.3V	C303	ECBT1E103ZF5	0.01 25V
R726	ERDS2TJ182T	1.8K 1/4W	C31	ECBT1H150JC5	15P 50V	C111	ECBT0J153MS5	0.015 6.3V	C313	ECBT1H101KB5	100P 50V
R727	ERDS2TJ222T	2.2K 1/4W	C32	ECBT1C103MS5	0.01 16V	C112	ECEA1HKA3R3B	3.3 50V	C314	ECBT1H101KB5	100P 50V
R728	ERDS2TJ272T	2.7K 1/4W	C33	ECEA1HKA2R2B	2.2 50V	C113	ECEA1HKA3R3B	3.3 50V	C315	ECEA1CKA100B	10 16V
R729	ERDS2TJ472T	4.7K 1/4W	C34	ECEA1HKA010B	1 50V	C114	ECEA1CKA100B	10 16V	C316	ECBT1H102KB5	1000P 50V
R730	ERDS2TJ102T	1K 1/4W	C35	ECEA1HKA010B	1 50V	C120	ECEA1HKA010B	1 50V	C317	ECBT1H101KB5	100P 50V
R731	ERDS2TJ102T	1K 1/4W	C36	ECEA1HKA010B	1 50V	C121	ECEA1HKA010B	1 50V	C318	ECBT1H101KB5	100P 50V
R732	ERDS2TJ122T	1.2K 1/4W	C37	ECEA1HKA010B	1 50V	C122	ECBT1H102KB5	1000P 50V	C319	ECEA1HKA3R3B	3.3 50V
R733	ERDS2TJ182T	1.8K 1/4W	C38	ECBT1C103MS5	0.01 16V	C123	ECBT1H102KB5	1000P 50V	C320	ECBT1C103NS5	0.01 16V
R734	ERDS2TJ222T	2.2K 1/4W	C39	ECBT1C103MS5	0.01 16V	C124	ECBT1H101KB5	100P 50V	C321	ECBT1C103NS5	0.01 16V
R735	ERDS2TJ272T	2.7K 1/4W	C40	ECBT1H561KB5	560P 50V	C125	ECBT1H101KB5	100P 50V	C322	ECBT1C103NS5	0.01 16V
R736	ERDS2TJ472T	4.7K 1/4W	C41	ECBT1H561KB5	560P 50V	C126	ECEA1AKA330B	33 10V	C323	ECBT0J153MS5	0.015 6.3V
R737	ERDS2TJ682T	6.8K 1/4W	C42	ECBT1C682MR5	6800P 16V	C127	ECEA1AKA330B	33 10V	C324	ECBT0J153MS5	0.015 6.3V
R738	ERDS2TJ103T	10K 1/4W	C43	ECBT1C682MR5	6800P 16V	C128	ECBT1H221KB5	220P 50V	C325	ECQV1H154JZ3	0.15 50V
R739	ERDS2TJ223T	22K 1/4W	C44	ECEA1CU101B	100 16V	C129	ECBT1H221KB5	220P 50V	C326	ECQV1H154JZ3	0.15 50V
R740	ERDS2TJ102T	1K 1/4W	C45	ECEA1HKA010B	1 50V	C130	ECBT1H221KB5	220P 50V	C327	ECEA1HKA3R3B	3.3 50V
R750	ERDS2TJ471T	470 1/4W	C46	ECEA1HKA010B	1 50V	C131	ECBT1H221KB5	220P 50V	C328	ECEA1HKA3R3B	3.3 50V
R751	ERDS2TJ151T	150 1/4W	C47	ECBT1H473ZF5	0.047 50V	C132	ECEA1HKA3R3B	3.3 50V	C329	ECEA1HKA3R3B	3.3 50V
R753	ERDS2TJ471T	470 1/4W	C48	ECBT1H100JC5	10P 50V	C133	ECEA1HKA3R3B	3.3 50V	C330	ECEA1HKA3R3B	3.3 50V
R756	ERDS2TJ681T	680 1/4W	C49	ECBT1H331KB5	330P 50V	C134	ECBT1H102KB5	1000P 50V	C331	ECEA1HKA3R3B	3.3 50V
R757	ERDS2TJ102T	1K 1/4W	C51	ECBT1C103MS5	0.01 16V	C135	ECBT1H102KB5	1000P 50V	C332	ECEA1HKA3R3B	3.3 50V
R758	ERDS2TJ681T	680 1/4W	C52	ECEA25M4R7B	4.7 25V	C136	ECBT1C152KR5	1500P 16V	C333	ECEA1EKA4R7B	4.7 25V
R759	ERDS2TJ102T	1K 1/4W	C53	ECBT1C103MS5	0.01 16V	C137	ECBT1C152KR5	1500P 16V	C334	ECEA1EKA4R7B	4.7 25V
R760	ERDS2TJ681T	680 1/4W	C54	ECBT1H180JC5	18P 50V	C138	ECBT1C103NS5	0.01 16V	C335	ECEA1CKA100B	10 16V
R761	ERDS2TJ101T	100 1/4W	C55	ECBT1H150JC5	15P 50V	C139	ECBT1H102KB5	1000P 50V	C336	ECEA1HKA3R3B	3.3 50V
R762	ERDS2TJ101T	100 1/4W	C56	ECBT1H102KB5	1000P 50V	C140	ECEA1CU221B	220 16V	C337	ECEA1EKA4R7B	4.7 25V
R763	ERDS2TJ331T	330 1/4W	C57	ECEA0JU101B	100 6.3V	C141	ECEA1CKA100B	10 16V	C338	ECEA1EKA4R7B	4.7 25V
R764	ERDS2TJ223T	22K 1/4W	C59	ECBT1H330J5	33P 50V	C142	ECEA1AKA220B	22 10V	C339	ECBT1E103ZF5	0.01 25V
R972	ERDS2TJ821T	820 1/4W	C60	ECBT1H102KB5	1000P 50V	C143	ECBT1H102KB5	1000P 50V	C340	ECBT1E103ZF5	0.01 25V
R973	ERDS2TJ393T	39K 1/4W	C61	ECBT1H331KB5	330P 50V	C150	ECBT1C103NS5	0.01 16V	C341	ECEA1CKA100B	10 16V
			C62	ECEA1CU220B	22 16V	C151	ECBT1H102KB5	1000P 50V	C342	ECEA1CKA100B	10 16V
	CAPACITORS		C63	ECBT1C103MS5	0.01 16V	C152	ECBT1C103NS5	0.01 16V	C343	ECBT1H101KB5	100P 50V
			C64	ECBT1C103MS5	0.01 16V	C153	ECBT1C103NS5	0.01 16V	C344	ECBT1H101KB5	100P 50V
C15	ECBT1C103MS5	0.01 16V	C65	ECBT1H102KB5	1000P 50V	C154	ECBT1H102KB5	1000P 50V	C345	ECBT1H270J5	27P 50V
C16	ECEA1CU220B	22 16V	C66	ECBT1H102KB5	1000P 50V	C155	ECQV1H473JZ3	0.047 50V	C346	ECBT1H270J5	27P 50V
C17	ECBT1C103MS5	0.01 16V	C67	ECBT1H102KB5	1000P 50V	C156	ECEA1CKA101B	100 16V	C347	ECKR1H103ZF5	0.01 50V
C18	ECBT1H102KB5	1000P 50V	C68	ECBT1H102KB5	1000P 50V	C157	ECQP2A472JZT	4700P 100V	C348	ECKR1H103ZF5	0.01 50V
C19	ECBT1C103MS5	0.01 16V	C71	ECBT1C103MS5	0.01 16V	C158	ECQP1152JZT	1500P 100V[M]	C349	ECBT1E103ZF5	0.01 25V
C20	ECEA1HKA3R3B	3.3 50V	C72	ECBT1H471KB5	470P 50V	C159	ECQP2A272JZT	2700P 100V	C350	ECBT1E103ZF5	0.01 25V
C21	ECEA0JU101B	100 6.3V	C73	ECBT1H2R7KC5	2.7P 50V	C160	ECBT1C103NS5	0.01 16V	C351	ECEA1HKAR47B	0.47 50V
C22	ECBT1C103MS5	0.01 16V	C101	ECBT1H101KB5	100P 50V	C161	ECBT1C103NS5	0.01 16V	C352	ECEA1EKA4R7B	4.7 25V
C23	ECEA1CU220B	22 16V	C102	ECBT1H101KB5	100P 50V	C162	ECEA1EKA4R7B	4.7 25V	C353	ECBT1C103NS5	0.01 16V

RefNo.	Part No.	Values & Remarks	Ref No.	Part No.	Values & Remarks	Ref No.	Part No.	Values & Remarks	Ref No.	Part No.	Values & Remarks
C354	ECEA1HKAR47B	0.47 50V	C505	ECBT1H102KB5	1000P 50V	C574	ECQE1224KF3	0.22 100V[M]		<CD MECHANISM UNIT>	
C355	ECBT1H101KB5	100P 50V	C506	ECBT1H102KB5	1000P 50V	C600	ECEA1AKA101B	100 10V		RESISTORS	
C356	ECBT1H101KB5	100P 50V	C507	ECBT1H150JC5	15P 50V	C601	ECBT1H102KB5	1000P 50V			
C357	ECBT1H270J5	27P 50V	C508	ECBT1H150JC5	15P 50V	C602	ECBT1H102KB5	1000P 50V	R501	ERDS2TJ103T	10K 1/4W
C358	ECBT1H270J5	27P 50V	C509	ECEA1HKA4R7B	4.7 50V	C604	ECBT1H561KB5	560P 50V	R502	ERDS2TJ103T	10K 1/4W
C359	ECEA1HKA3R3B	3.3 50V	C510	ECEA1HKA4R7B	4.7 50V	C605	ECBT1H561KB5	560P 50V	R503	ERDS2TJ102T	1K 1/4W
C360	ECEA1HKA3R3B	3.3 50V	C511	ECEA1VU330B	33 35V	C606	ECBT1H561KB5	560P 50V	R701	ERJ6GEYJ4R7V	4.7 1/10W
C361	ECBT1C103NS5	0.01 16V	C512	ECEA2AU100B	10 100V	C607	ECBT1H561KB5	560P 50V	R703	ERJ6GEYJ823	82K 1/10W
C362	ECBT1C103NS5	0.01 16V	C513	ECFR1E104ZF5	0.1 25V	C609	ECEA1CKA100B	10 16V	R704	ERJ6GEYJ102A	1K 1/10W
C363	ECBT1H101KB5	100P 50V	C514	ECFR1E104ZF5	0.1 25V	C610	ECBT1C103MS5	0.01 16V	R705	ERJ6GEYJ103V	10K 1/10W
C364	ECBT1H101KB5	100P 50V	C515	ECBT1E223ZF5	0.022 25V	C611	ECBT1H101KB5	100P 50V	R706	ERJ6GEYJ102A	1K 1/10W
C365	ECFR1C104KR	0.1 16V	C516	ECEA0JU221B	220 6.3V	C612	ECBT1H101KB5	100P 50V	R707	ERJ6GEYJ474V	470K 1/10W
C366	ECBT1C103NS5	0.01 16V	C517	ECBT1C472KR5	4700P 16V	C613	ECEA1HKA010B	1 50V	R708	ERJ6GEYJ154V	150K 1/10W
C367	ECEA1HKA3R3B	3.3 50V	C518	ECBT1C472KR5	4700P 16V	C614	ECEA1HKA010B	1 50V	R709	ERJ6GEYJ683V	68K 1/10W
C368	ECEA1HKA3R3B	3.3 50V	C519	ECKR1H103ZF5	0.01 50V	C615	ECBT1H180JC5	18P 50V	R711	ERJ6GEYJ154V	150K 1/10W
C370	ECEA1AU221B	220 10V	C520	ECKR1H103ZF5	0.01 50V	C616	ECBT1H220JC5	22P 50V	R712	ERJ6GEYJ221V	220 1/10W
C371	ECEA1HKAR33B	0.33 50V	C541	ECKR2H103ZF5	0.01 500V	C617	ECBT1H680J5	68P 50V	R714	ERJ6GEY0R00A	0 1/10W
C372	ECEA1HKAR33B	0.33 50V	C542	ECKR2H103ZF5	0.01 500V	C618	ECBT1H560J5	56P 50V	R717	ERJ6GEYJ101V	100 1/10W
C373	ECEA1HKAR33B	0.33 50V	C543	ECKR2H103ZF5	0.01 500V	C619	ECBT1H680J5	68P 50V	R718	ERJ6GEYJ101V	100 1/10W
C374	ECEA1HKAR33B	0.33 50V	C544	ECKR2H103ZF5	0.01 500V	C620	ECBT1H560J5	56P 50V	R721	ERJ6GEYJ101V	100 1/10W
C375	ECBT1C103NS5	0.01 16V	C545	ECKR2H103ZF5	0.01 500V	C621	ECEA1HKA3R3B	3.3 50V	R722	ERJ6GEYJ563V	56K 1/10W
C376	ECEA1CKA100B	10 16V	C546	ECKR2H103ZF5	0.01 500V	C622	ECEA1HKAR33B	0.33 50V	R723	ERJ6GEYJ182V	1.8K 1/10W
C377	ECBT1C103NS5	0.01 16V	C547	ECEA1VU222E	2200 35V▲	C623	ECEA1HKAR33B	0.33 50V	R724	ERJ6GEYJ333V	33K 1/10W
C378	ECBT1H101KB5	100P 50V	C548	ECEA1VU222E	2200 35V▲	C624	ECEA0JKA101B	100 6.3V	R725	ERJ6GEYJ223V	22K 1/10W
C379	ECBT1H101KB5	100P 50V	C549	ECEA1VU102E	1000 35V▲	C625	ECBT1H102KB5	1000P 50V	R726	ERJ6GEYJ473V	47K 1/10W
C391	ECBT1C472MR5	4700P 16V	C551	ECBT1E103ZF5	0.01 25V	C626	ECEA0JU102B	1000 6.3V	R727	ERJ6GEYJ822V	8.2K 1/10W
C392	ECBT1C472MR5	4700P 16V	C552	ECBT1E103ZF5	0.01 25V	C627	ECEA0JU102B	1000 6.3V	R728	ERJ6GEYJ103V	10K 1/10W
C398	ECBT1E103ZF5	0.01 25V	C553	ECEA1VU470B	47 35V	C628	ECBT1H102KB5	1000P 50V	R731	ERJ6GEYJ822V	8.2K 1/10W
C399	ECBT1E103ZF5	0.01 25V	C554	ECEA1CU470B	47 16V	C629	ECBT1H101KB5	100P 50V	R735	ERJ6GEYJ101V	100 1/10W
C401	ECBT1C103NS5	0.01 16V	C555	ECBT1E103ZF5	0.01 25V	C630	ECBT1H101KB5	100P 50V	R736	ERJ6GEYJ101V	100 1/10W
C402	ECEA0JU471B	470 6.3V	C556	ECEA1CKA330B	33 16V	C631	ECBT1C103MS5	0.01 16V	R738	ERJ6GEYJ223V	22K 1/10W
C405	ECBT1C332MR5	3300P 16V	C557	ECBT1E103ZF5	0.01 25V	C632	ECBT1C103MS5	0.01 16V	R744	ERJ6GEYJ103V	10K 1/10W
C406	ECBT1C332MR5	3300P 16V	C558	ECEA1CU330B	33 16V	C671	ECBT1E223ZF5	0.022 25V	R745	ERJ6GEYJ155V	1.5M 1/10W
C407	ECBT1C103NS5	0.01 16V	C559	ECBT1E103ZF5	0.01 25V	C683	ECBT1H102KB5	1000P 50V	R748	ERJ6GEYJ182V	1.8K 1/10W
C408	ECBT1C103NS5	0.01 16V	C560	ECEA1CU470B	47 16V	C684	ECBT1H102KB5	1000P 50V	R749	ERJ6GEYJ682V	6.8K 1/10W
C409	ECBT1C103NS5	0.01 16V	C561	ECBT1E103ZF5	0.01 25V	C685	ECBT1C103MS5	0.01 16V	R750	ERJ6GEYJ473V	47K 1/10W
C410	ECBT1C103NS5	0.01 16V	C562	ECEA1HKA010B	1 50V	C686	ECBT1H102KB5	1000P 50V	R751	ERJ6GEYJ473V	47K 1/10W
C411	ECEA1HKA4R7B	4.7 50V	C563	ECEA1EKA4R7B	4.7 25V	C687	ECBT1H102KB5	1000P 50V	R752	ERJ6GEYJ220V	22 1/8W
C412	ECEA1HKA4R7B	4.7 50V	C564	ECBT1E103ZF5	0.01 25V	C688	ECBT1H102KB5	1000P 50V	R753	ERJ6GEYJ102A	1K 1/10W
C413	ECBT1E103ZF5	0.01 25V	C565	ECEA1HU330B	33 50V	C689	ECEA0JKA220B	22 6.3V	R772	ERJ6GEYJ273V	27K 1/10W
C414	ECBT1E103ZF5	0.01 25V	C566	ECKR1H103ZF5	0.01 50V	C737	ECBT1H104ZF5	0.1 50V		CAPACITORS	
C415	ECEA1HKA010B	1 50V	C567	ECKR1H103ZF5	0.01 50V	C738	ECBT1H101KB5	100P 50V			
C422	ECBT1H102KB5	1000P 50V	C568	ECEA1HU470B	47 50V	C739	ECBT1H101KB5	100P 50V			
C461	ECEA1AKA470B	47 10V	C569	ECEA1HU101B	100 50V				C501	ECBT1H221KB5	220P 50V
C501	ECEA1HKA010B	1 50V	C570	ECBT1E103ZF5	0.01 25V				C701	ECEA0JKA330I	33 6.3V
C502	ECEA1HKA010B	1 50V	C571	ECEA1AKA470B	47 10V				C702	ECUZNE104MBN	0.1 25V
C503	ECBT1H102KB5	1000P 50V	C572	ECEA1HU470B	47 50V				C703	ECEA0JKA101I	100 6.3V
C504	ECBT1H102KB5	1000P 50V	C573	ECEA1CKA100B	10 16V				C704	ECUZNE104MBN	0.1 25V

Ref No.	Part No.	Values & Remarks	Ref No.	Part No.	Values & Remarks	Ref No.	Part No.	Values & Remarks	Ref No.	Part No.	Values & Remarks
C705	ECUZNE104MBN	0.1 25V	RJ716	ERJ8GEY0R00A	0 1/8W						
C706	ECUV1H272KBN	2700P 50V	RJ717	ERJ8GEY0R00A	0 1/8W						
C707	ECUV1E273KBN	0.027 25V	RJ719	ERJ8GEY0R00A	0 1/8W						
C708	ECUV1H472KBN	4700P 50V	RJ721	ERJ8GEY0R00A	0 1/10W						
C709	ECUV1C473KBN	0.047 16V	RJ722	ERJ8GEY0R00A	0 1/8W						
C710	ECUV1H182KBN	1800P 50V	RJ723	ERJ8GEY0R00A	0 1/10W						
C711	ECUWNE104ZFN	0.1 25V	RJ724	ERJ8GEY0R00A	0 1/10W						
C712	ECUWNE104ZFN	0.1 25V	RJ726	ERJ8GEY0R00A	0 1/10W						
C713	ECUV1C104MBM	0.1 16V	RJ727	ERJ8GEY0R00A	0 1/10W						
C714	ECEA0JKA101I	100 6.3V	RJ728	ERJ8GEY0R00A	0 1/10W						
C716	ECUV1H561KBN	560P 50V	RJ729	ERJ8GEY0R00A	0 1/10W						
C717	ECUWNE104ZFN	0.1 25V	RJ730	ERJ8GEY0R00A	0 1/10W						
C718	ECUVNC224KBN	0.22 16V	RJ731	ERJ8GEY0R00A	0 1/10W						
C721	ECUV1H150JCN	15P 50V	RJ732	ERJ8GEY0R00A	0 1/10W						
C722	ECUV1H150JCN	15P 50V									
C723	ECEA1AKA221I	220 10V		TEST JUMPERS							
C724	ECUV1C104MBM	0.1 16V									
C730	ECUWNE104ZFN	0.1 25V	TJ701	EYF8CU	TEST JUMPER						
C731	ECEA0JKA221I	220 6.3V	TJ702	EYF8CU	TEST JUMPER						
C732	ECEA0JKA221I	220 6.3V									
C733	ECUZNE104MBN	0.1 25V									
C734	ECEA1AKA221I	220 10V									
C735	ECUWNE104ZFN	0.1 25V									
C736	ECUWNE104ZFN	0.1 25V									
C737	ECUWNE104ZFN	0.1 25V									
C738	ECUV1C154KBN	0.15 16V									
C742	ECUV1E273KBN	0.027 25V									
C743	ECUWNE104ZFN	0.1 25V									
C744	ECUE1E822KBN	8200P 25V									
C745	ECUE1H102KBN	1000P 50V									
C747	ECUE1H222KBN	2200P 50V									
C748	ECUV1H471KBM	470P 50V									
C749	ECUZNE104MBN	0.1 25V									
C750	ECUV1C104MBM	0.1 16V									
C751	ECUZNE104MBN	0.1 25V									
C752	ECUE1H152KBN	1500P 50V									
C753	ECUV1H471KBM	470P 50V									
	CHIP JUMPERS										
RJ701	ERJ8GEY0R00A	0 1/8W									
RJ702	ERJ8GEY0R00A	0 1/8W									
RJ703	ERJ8GEY0R00A	0 1/8W									
RJ704	ERJ8GEY0R00A	0 1/8W									
RJ707	ERJ8GEY0R00A	0 1/8W									
RJ709	ERJ8GEY0R00A	0 1/8W									
RJ714	ERJ8GEY0R00A	0 1/8W									
RJ715	ERJ8GEY0R00A	0 1/8W									

■ Packaging (Refer to page 60 & 61 for the Parts List.)

P5 (SPSD152 ... EB,EG) : ACCESSORY CASE
(SPSD155 ... E)

A1 (EUR644340) : REMOTE CONTROL
A6 (RFA0622-K1) : FILE BOOK

P6 (XZB24X33C04) : VINYL BAG

A2 (RSA0007)	: FM ANTENNA
A3 (RSA0010)	: AM LOOP ANTENNA SET
A4 (RJA0019-2K ... E,EG)	: AC CORD
A4 (VJA0733 ... EB)	: AC CORD
A5 (RFKSCH64MEK ... E)	: INSTRUCTION MANUAL ASS'Y
A5 (RQT3449-B ... EB)	: INSTRUCTION MANUAL
A5 (RQT3448-D ... EG)	: INSTRUCTION MANUAL
A7 (RQLA0321)	: NUMBER SHEET
A8 (SJP9009 ... EB)	: ANTENNA ADAPTER

P4 (RPN0954-1) — [*P4 (A)
*P4 (B)
*P4 (C)
*P4 (D)

